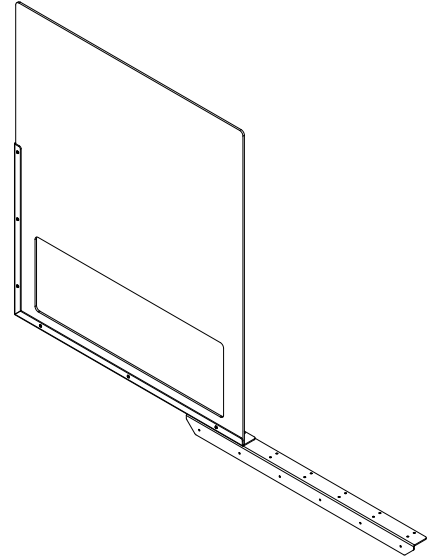




Precision Metal Products • Integrated Digital Solutions

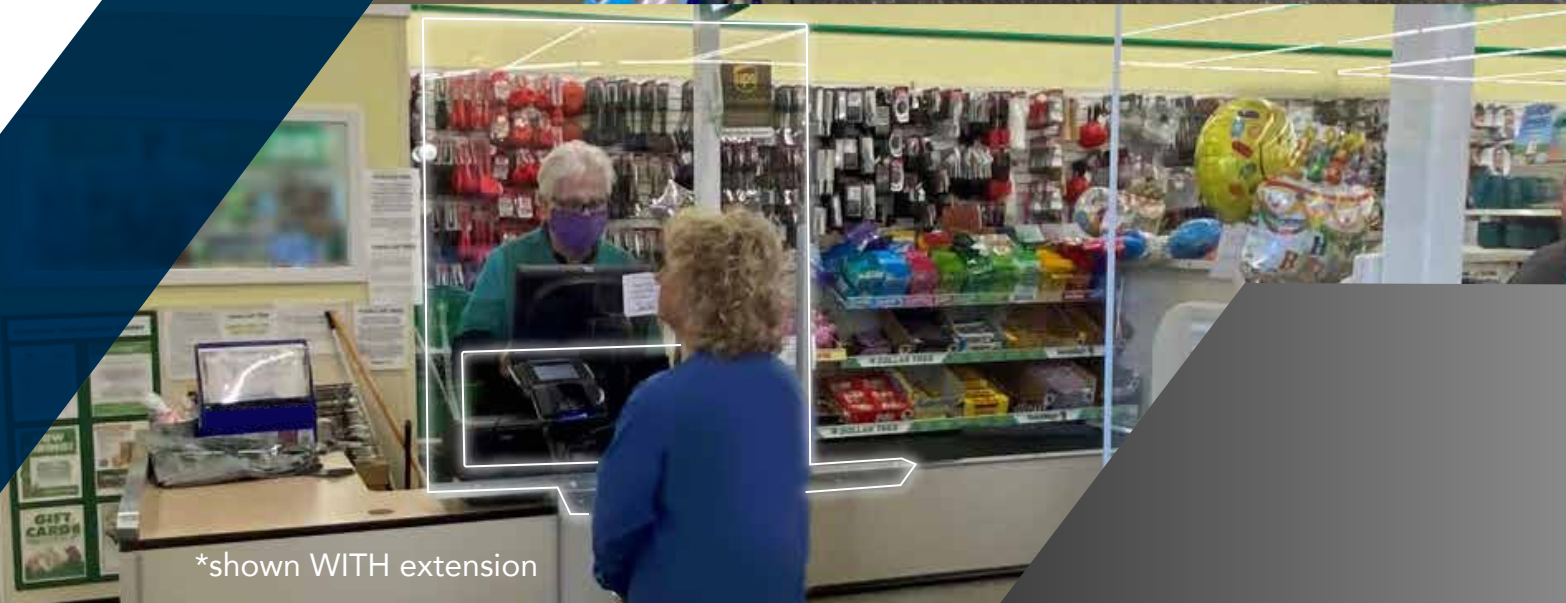


NW200300-LC3642
PERSONAL PROTECTIVE SHIELD

NW200300-LC3642-KIT
EXTENSION BRACKET ASSEMBLY



*shown WITHOUT extension



*shown WITH extension



Features:

- Slim product design that provides added protection between cashier and customer
- 35" wide x 42" tall x .230" thick clear plexiglass Personal Protective Shield panel
- 10" x 29.25" Window cutout in plexiglass panel to pass materials through
- Panel supported by sturdy - lightweight aluminum powdercoated bracket
- Easy to install in most table materials: metal, plastic, wood, etc. (table mounting screws are not supplied with kit - as screws required are dependent on table material types)
- Optional: Extension bracket provides offset protection where table surfaces are not present (extension hardware included)

